

62100-62200**NON CONTACT ROTARY TORQUE SENSOR**

Model 62100 - 500 Nm

**Features**

- o Bi-directional measurement range (-500..0..500Nm)
- o Torque measurements up to 5000 rpm
- o Maintenance-free operation
- o High tolerable dynamic loads
- o High tolerable transverse forces and bending moments

Applications

SENSY's 62100-62200 sensors allow an easy and cheap torque measurement for test benches and production lines. The torque sensing shaft, the non-contact signal detector, and analog signal conditioning electronics are integrated into the sensor housing. The torque sensor is characterized by very low power consumption, internally amplified output voltage signal, long-term stability and a very good price-performance ratio.

Capacities

62100-62200 : 2.5 - 5 - 7.5 - 17.5 - 75 - 175 - 250 - 500 Nm

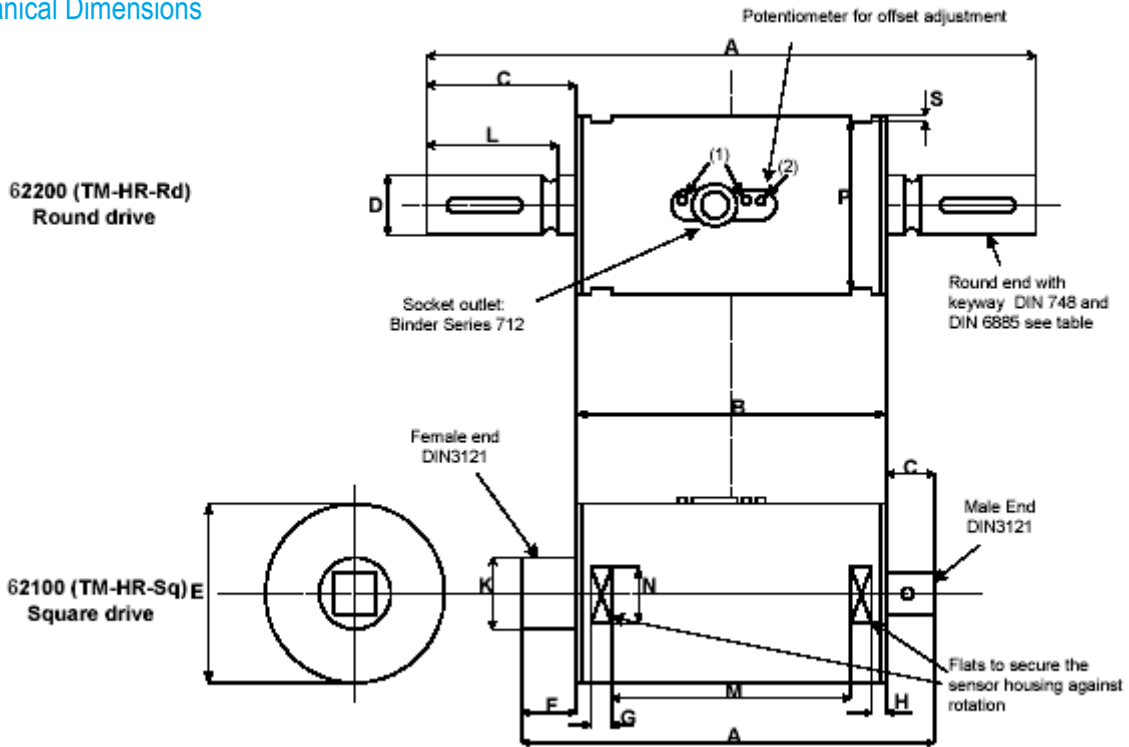
Specifications	62100-62200	
Linearity error	< ± 1.0	% F.S.
Repeatability error	< ± 0.05	% F.S.
Temperature coefficient of zero signal	< 1.0	% F.S./10°C
Temperature coefficient of the sensitivity	< 1.0	% F.S./10°C
Reference excitation voltage	9 .. 12	VDC
Service temperature range	-30 ... +85	°C
Storage temperature range	-30 ... +100	°C
.Output tension	0...5VDC*	V
.IP Rating	IP50	-

* : Analog output signal : 0...5V (in general)

- 2.5V at torque = zero
- > 2.5V at positive nominal torque
- < 2.5V at negative nominal torque

F.S.: Full Scale - Specification subject to change without notice

Mechanical Dimensions



- (1) Do not loosen or tighten the assembly screws
- (2) See 8.4 – Offset adjustment

Dimensions in mm	Nominal Torque Capacity (Nm)	A	B	C	D	E	F	G	H	K	L	M	N	P	S
Square drive shaft (62100)															
1/4 Inch	2.5 - 5.0 - 7.5 - 17.5	95.5	70	9.5	-	40	16	8	5	12	-	43.9	15	37	1.5
3/8 Inch	75	107	70	13	-	50	24	8	5	18	-	43.9	18	47	1.5
1/2 Inch	175 - 250	123.5	70	18.5	-	50	35	8	5	24	-	43.9	18	47	1.5
3/4 Inch	500	146	87	29.6	-	60	29.6	10.5	2	33.5	-	61.4	19	57	1.5
Round drive shaft (62200)															
Ø 9 mm	2.5 - 5.0 - 7.5 - 17.5	125	70	27.5	9	40	-	8	5	-	23	43.9	15	37	1.5
Ø 14 mm	75	139	70	34.5	14	50	-	8	5	-	30	43.9	18	47	1.5
Ø 19 mm	175 - 250	179	70	54.5	19	50	-	8	5	-	50	43.9	18	47	1.5
Ø 25 mm	500	220	87	66.6	25	60	-	10.5	2	-	-	61.4	19	57	1.5

Round drive	Dimensions Keyway (mm)			Keystones	
	Width	Depth	Length	Height	Length
Ø 9 mm	3	1.8	18.5	3	18
Ø 14 mm	5	3	25.5	5	25
Ø 19 mm	6	3.5	45.5	6	45
Ø 25 mm	8	4	50.5	8	50

